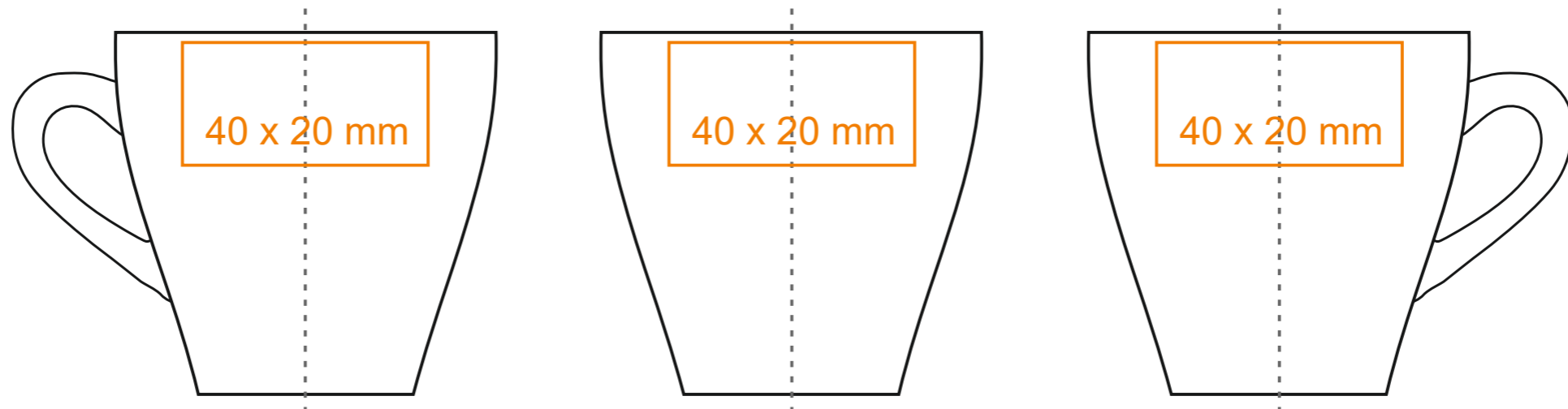
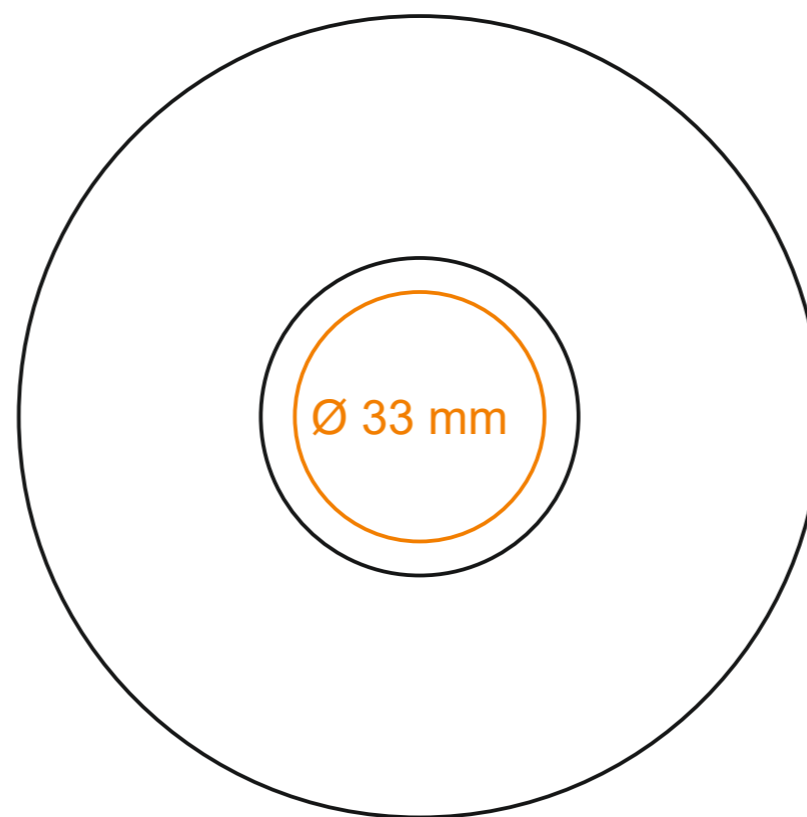


# C252 Verona Bianco Set

70 ml / h: 59 mm / Ø 62 mm



Saucer Ø 106 mm



Imprint on the inside	30 x 10 mm
Imprint on the bottom inside	Ø 15 mm
Imprint on the bottom outside	Ø 20 mm

\*In the case of projects for transfer print running outside of the standard print area, please contact our sales department.

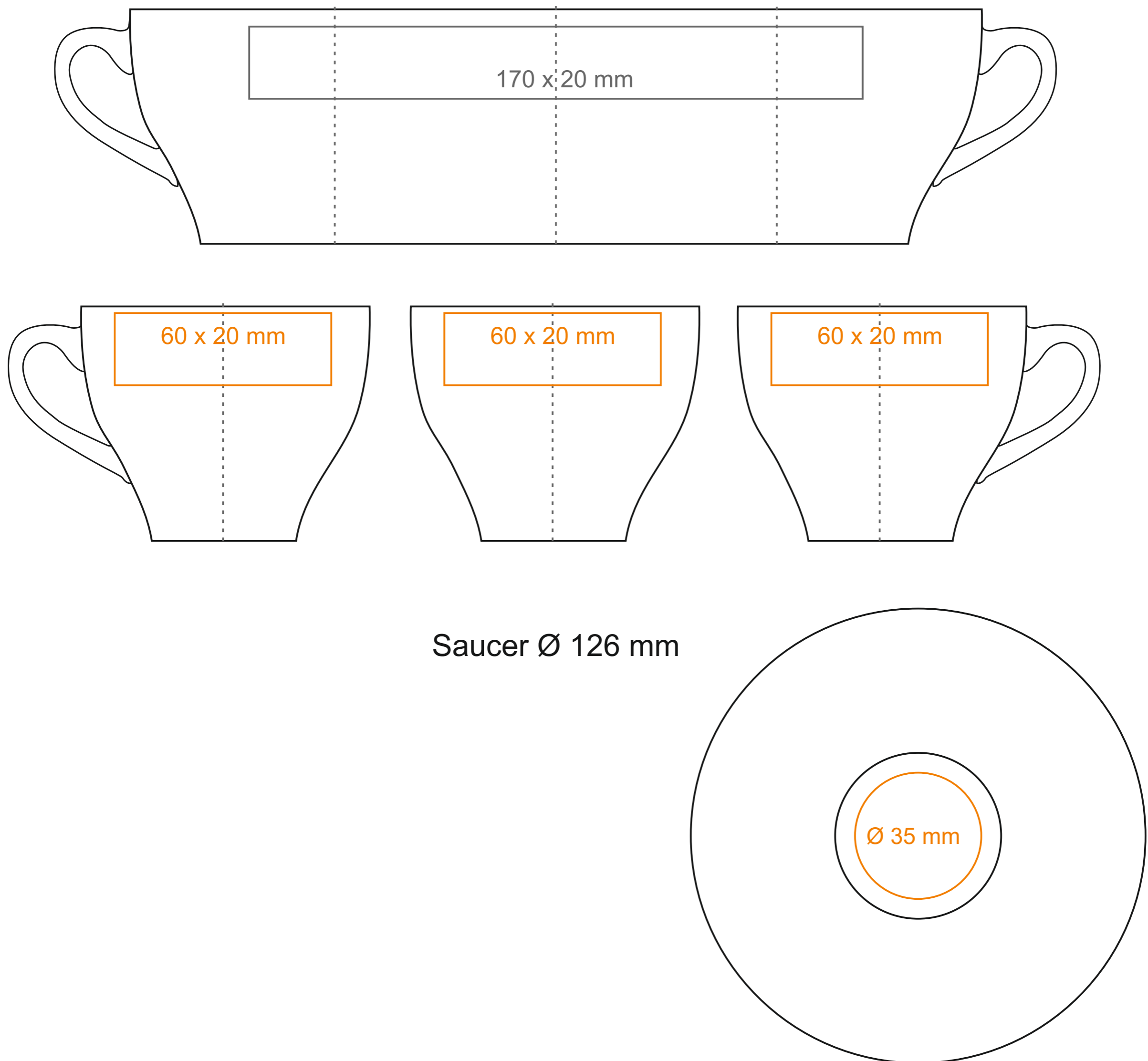
[How to prepare print material](#)

meaning

- Transfer Print
- Sensitive Touch
- Direct Print

# C252 Verona Bianco Set

150 ml / h: 65 mm / Ø 80 mm



Imprint on the handle	50 x 5 mm
Imprint on the inside	30 x 10 mm
Imprint on the bottom inside	Ø 20 mm
Imprint on the bottom outside	Ø 20 mm

\*In the case of projects for transfer print running outside of the standard print area, please contact our sales department.

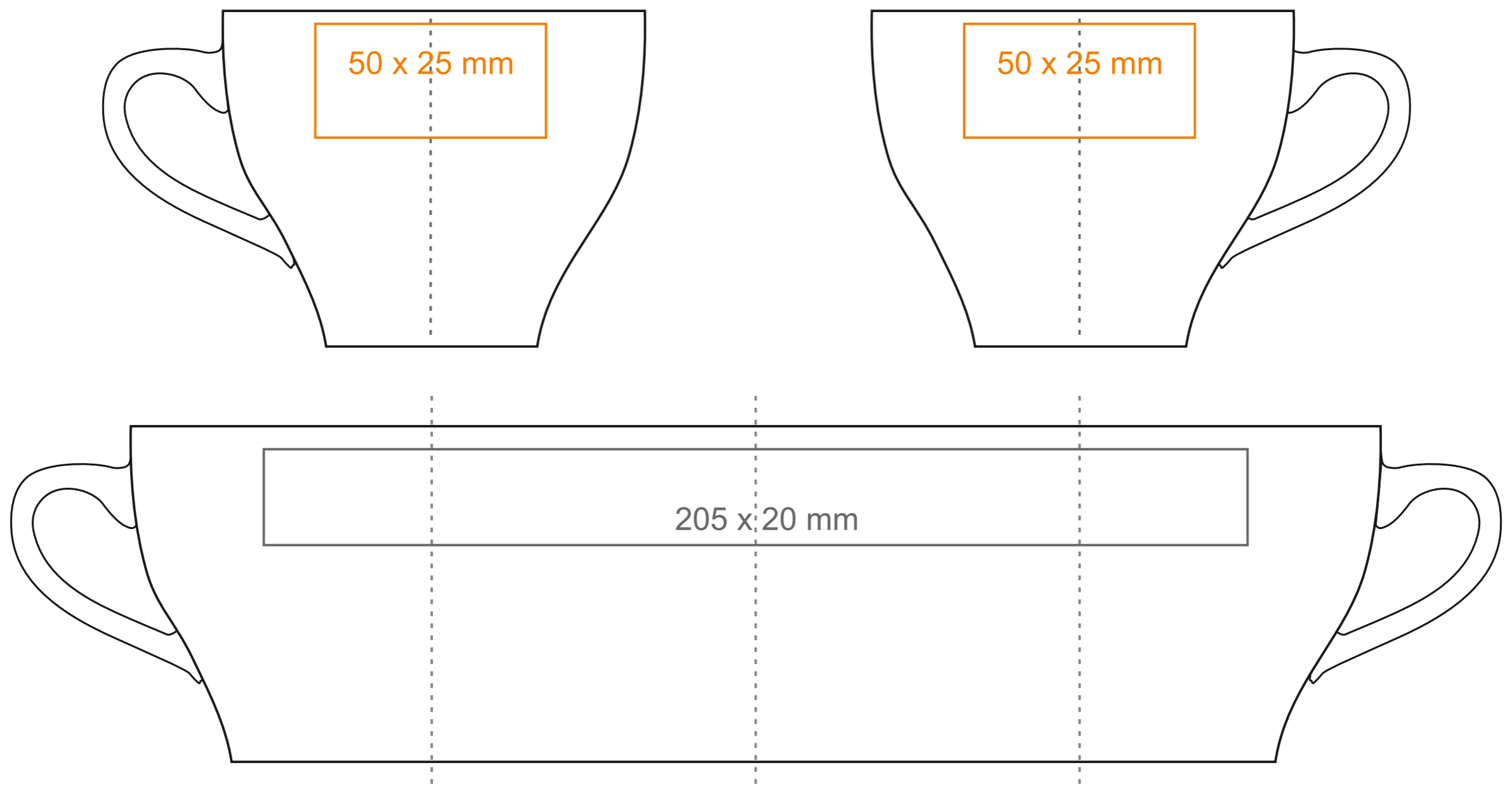
[How to prepare print material](#)

## meaning

- Transfer Print
- Sensitive Touch
- Direct Print

# C252 Verona Bianco Set

200 ml / h: 70 mm / Ø 88 mm



Saucer Ø 140 mm

- Imprint on the handle 30 x 5 mm
- Imprint on the inside 30 x 10 mm
- Imprint on the bottom inside Ø 25 mm
- Imprint on the bottom outside Ø 20 mm

\*In the case of projects for transfer print running outside of the standard print area, please contact our sales department.

[How to prepare print material](#)

meaning

- Transfer Print
- Sensitive Touch
- Direct Print